

DIGITAL NETWORK AUDIO PROCESSOR

KONANlabs KSP-IO12



INSTRUCTION MANUAL

Thanks for purchasing our products. Please read the Instruction Manual carefully before you use the network audio processor.

Instruction

Network audio processor is a closed-loop feedback control system, which can make the PLL output keep the fixed phase relationship with a reference signal. The processor include discriminator, charge amplifier, low pass filter, voltage control oscillator and output converter, which can completely avoid network duplex echo.

Network audio processor equipped with USB terminal, efficient implementation reduces network inherent noise, inhibition of multi-party conference echo, and this product is widely used in local conference and teleconference to eliminate feedback and echo.

Features

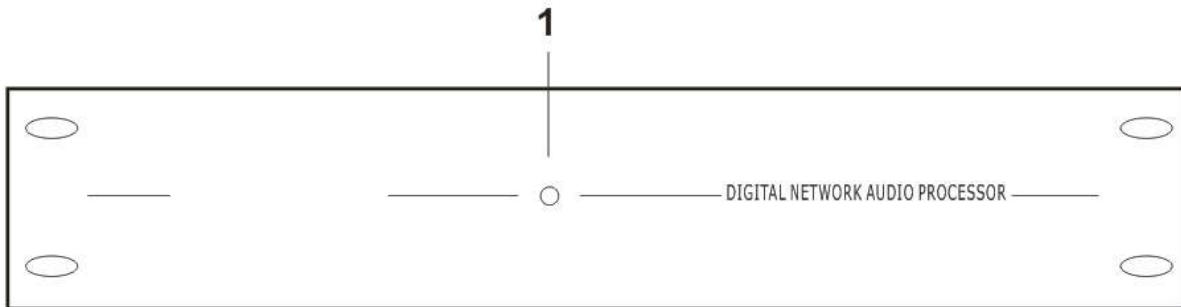
1. Echo cancellation, completely eliminate echo, and transmit the local signal at the same time, support fully duplex at any time.
2. Acoustic feedback howling suppression
3. The unique dynamic adaptive noise filter can filter out background noise but does not affect the speaker's voice; thereby improving the signal to noise ratio, improve the sound quality.
4. The most advanced signal processing. It can be used for network conference, audio and video teleconference. Fully adaptive conference equipments, without the system debugging.
5. Powered by computer USB interface, no need other extra power.

Specification

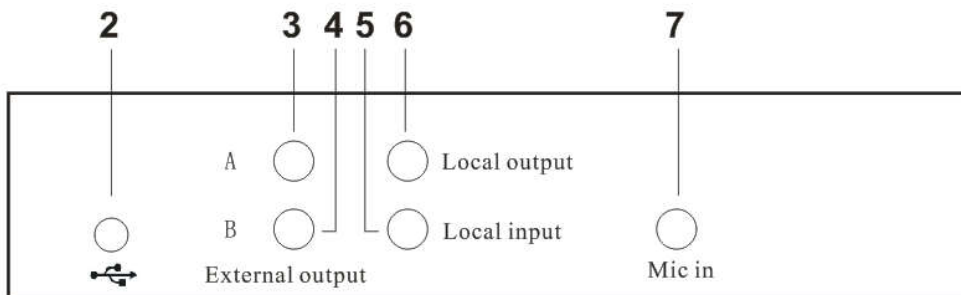
Character	Sampling rate
Single chip USB interface	Analog/Digital converter:32, 44.1, 48kHz
Immediately audio generator	Analog/Digital converter: 8,11.025,16,22.05,32,44.1,48kHz
Full Compliance with USB1.1	Single power supply: 5V
With programming, local descriptor	Analog/Digital converter: 8,11.025,16,22.05,32,44.1,48kHz
USB repeat adaptation mode	THD+Noise=0.01%
USB record asynchronous mode	SNR=89dB
USB bus 5V power supply	Dynamic range=89dB

Function Key

Front panel

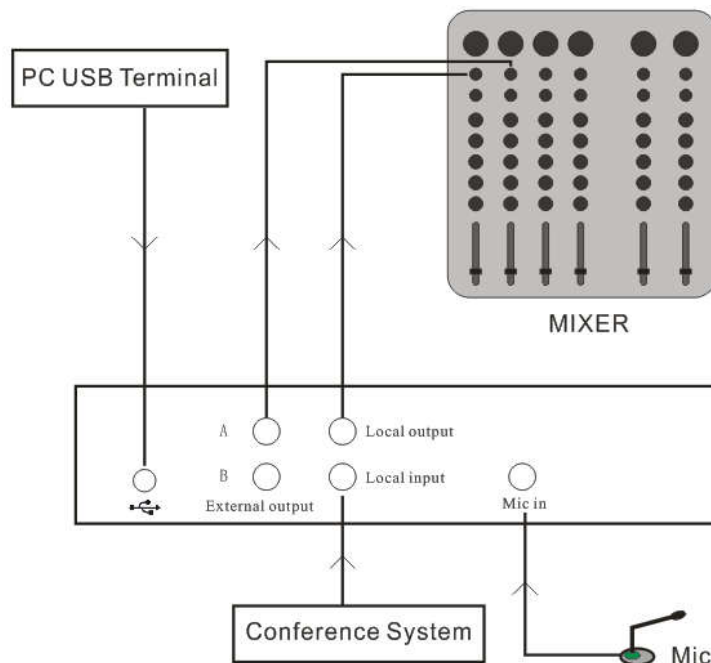


Rear Panel



1. Power indicator: the LED indicator will light after user connect USB terminal to computer interface.
2. USB terminal: equipped with 1 piece 2 meter cable
3. External output (Group A): Audio signal output from computer and remote, connect to mixer directly.
4. External output (Group B): Audio signal output from computer and remote, connect to mixer directly.
5. Local input: Local audio signal input from sound source equipments
6. Local output: Local audio signal output from sound source equipments
7. Mic in: Microphone audio input

System connection Schematic diagram



Operation

Please connect USB cable to computer USB interface, computer will identify automatically and install the driver within 1 minutes. If the computer has been used in one or more than one audio equipment, or has default audio equipment, user has to install the equipments and setting manually.

Click "Start"--> "Settings" --> "Control Panel" --> "sounds, speech and audio devices". Double click "sounds, speech and audio devices ", please select "USB Audio CODEC" for both "sound play back" and "sound recording" options, and then confirm it.

Caution:

Please prevent the equipment dripping by water, do not put the liquid articles such as vase on the equipment.

The power switch of the equipments is monopole; please pullout the plug if the will not be used for a long time. The switch has already been turn on when the power indicator lamp is on, and the switch has already been turn of when the power indicator lamp is off.

This machine has no maintain part, for preventing electric shock from being dangerous, do not turn on the machine cover without permission. If need to maintain, please contact sale agent.