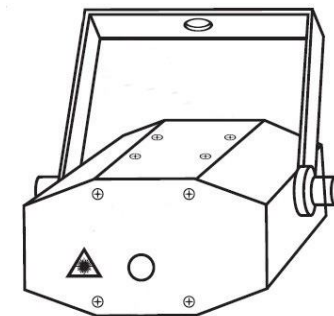




ЛАЗЕРНЫЙ ЭФФЕКТ
KLT-10ORG-4

MINI FOUR GOBO PATTERNS TWINKLING LASER SHOW SYSTEM

User's Manual



Light up your stage, disco, club, party, dj, Xmas, home, room, decoration place!



Read this manual before using. Do not attempt to open the housing or repair this device by yourself without contact us!

General instructions




Unpacking:

Thank you for purchasing this product. Please read user guide for safety and before using the product. Keep this manual for future reference. This product can create perfect laser programs and effects since it has passed a series of strictly tests before delivery. Please check the attachments listed on the page after opening the carton. Immediately upon receiving a fixture, carefully unpack the box. Check the box contents to ensure that all parts are present and that they are in good condition. If any part appears damaged from shipping, or if the box shows signs of mishandling, notify the shipper immediately. In addition, retain the box and all the packing material for inspection. In any event, save the carton and all packing material because, in case that you have to return the fixture to the factory, you will have to do so in its original box, with its original packing.

- | | |
|-------------------|------|
| 1. Laser Light: | 1PCS |
| 2. Power Adaptor: | 1PCS |
| 3. User Guide: | 1PCS |
| 4. Tripod | 1PCS |

Safety Notice:

Please read the following notes carefully because they include important safety information about the installation, usage and maintenance of this product. It is important to read all these notes before starting to work with this product.

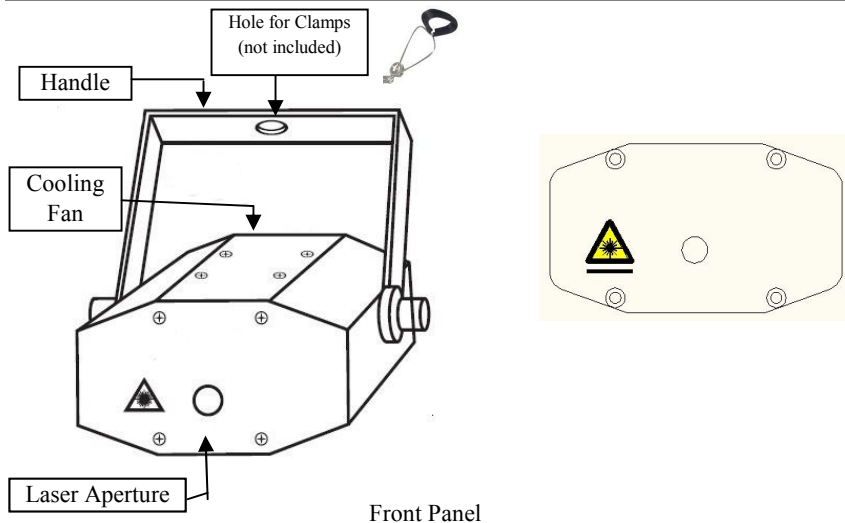
Lasers can be hazardous and have unique safety considerations. Permanent eye injury and blindness is possible if lasers are used incorrectly. Pay close attention to each safety REMARK and WARNING statement in the user manual. Read all instructions careful	
	There are no user serviceable parts inside the light. Any reference to servicing this unit you may find from now on in this User Manual will only apply to properly C we certified technicians. Do not open the housing or attempt any repairs unless you are o
	Please refer to all applicable local codes and regulations for proper installation of the light.
	Keep this manual for future consultation. If you sell the light to another user, make sure that they also receive this manual.

Troubleshooting

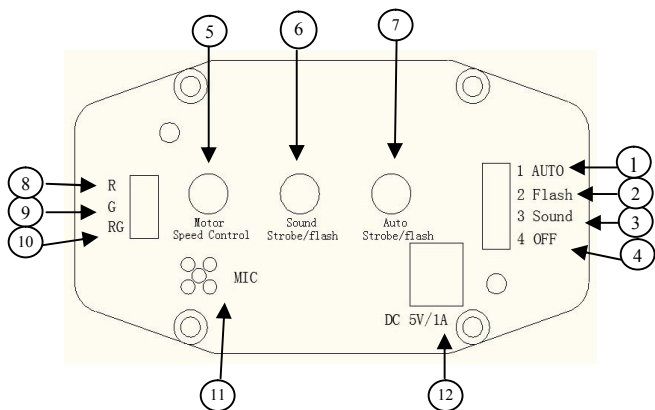
1. If the power supply indicator doesn't light up and the laser doesn't work, please check the power supply, the input voltage and the fuse.
2. In Stand-Alone operation, if the power supply indicator is light up and sound active indicator isn't light up, but the laser is shut off doesn't work.
 - A. Because sound is too small make for laser shut off in sound active, please increase the music volume or increase audio sensitivity with sensitivity knob, please check as below.
3. If the unit is fail, please turn off the unit, then turn on again after 5 minutes.

After trying the above solution you still have a problem, please contact your dealer or our company for service.

Front/Rear Panel



Front Panel



Rear Panel

- | | | |
|--------------------------------|---|---------------------------|
| 1. Laser on Auto mode | 2. Strobe/flashing | 3. Sound active mode |
| 4. Laser OFF | 5. Movement speed for the laser effects | |
| 6. Sound Sensitivity for music | 7. Auto Strobe Speed | 8. only display red laser |
| 9. only display green laser | 10. display red and green lasers | |
| 11. Microphone to the voice | 12. DC 5V 1A | |

	Avoid direct eye exposure to the light source while the fixture is on. Always disconnect the light from its power source before servicing. Always connect the light to a grounded circuit to avoid the risk of electrocution.
	This product is for indoor use only! Use only in dry locations. Keep this device away from rain and moisture, excessive heat, humidity and dust. Do not allow contact with water or any other fluids, or metallic objects.
	Make sure there are no flammable materials close to the fixture(s) while operating.
	Please prevent this light away from electrical shock
Power 110V 240V Ground	Always make sure that you are connecting the light to the proper voltage, as per the specifications in this manual or on the product's sticker. Never connect the light to a dimmer pack. Make sure that the power cable is not cracked, crimped or damaged. Ne
	The maximum ambient temperature (Ta) is 104 F (40 C). Do not operate the fixture at a higher temperature. In case of a serious operating problem, stop using this product immediately!
	Use cleaning tissue to remove the dust absorbed on the external lenses periodically to optimize light output.
	Don't throw this product away just as general trash, please dispose of this product following the abandon electronic product regulation in your country.
	To protect the environment, recycle packing material wherever possible.
	Do not remove or break the warranty label, otherwise it void the warranty.
	There are no serviceable parts in the light. Please have all servicing and adjustments made by a qualified service engineer.

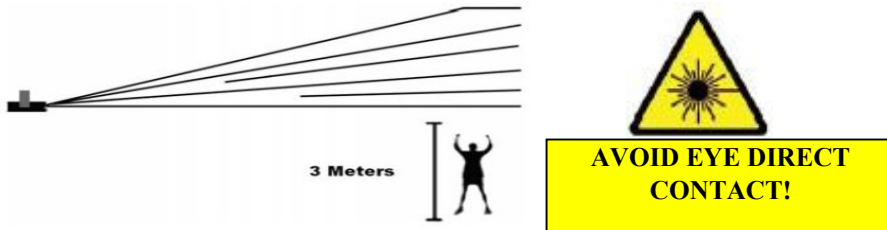
Laser Safty Warnings

Potential laser injury hazard exists with this product! Read these Instructions carefully, which include important information about installation, safe use and service!

Caution

- * Avoid direct eye contact with laser light. Never intentionally expose your eyes or others to direct laser radiation.
- *This laser product can potentially cause instant eye injury or blindness if laser light directly strikes the eyes.
- *It is illegal and dangerous to shine this laser into audience areas, where the audience or other personnel could get direct laser beams or bright reflections into their eyes.
- *It is a US Federal offense to shine any laser at aircraft.

Installation



*Laser effects projected 3 meters (9.8 ft) above the audience are eye safe. A survey should be taken to assess the likelihood of any reflective surfaces (such as high windows, chrome bars etc) bouncing stray beams back down into the audience.

*Make sure its correct power output and plug the power cable to the wall socket.

* Power must be in earth! Power on the light.

* Do not shoot the beams to the audience!

*Do not look direct into the laser aperture once the laser light is ON. Please pay attention to the Laser Danger Warning Sticker!

Technical Specification

1. Voltage: Input 110V -220V-250V AC, 50HZ-60HZ/ Fuse: 2A/250V;
Output 5V DC 1A
2. Rated Power: 5W
3. Laser:

Color	Wavelength	Power output
Red	650nm	80mW
Green	532nm	20mW
4. Laser class: **Class 3B**
5. Working Modes: Sound Active, AUTO, Strobe
6. Graphics & Effects: 4 beautiful gobo laser effects coming from laser aperture. Red and green beams shootted out from the aperture within 40 angles, the effect of auto, movement speed, sound sensitivity and strobe speed.
7. Laser Size: 130*92*52mm
9. Net weight: 0.3kg, Gross Weight: 0.6Kg

Features

1. Use red and green laser module, stable output and long working life.
2. Various Effects
4 beautiful gobo effects
3. With a built-in fan for heat dissipation.
4. Compact and lightweight, attractive laser housing, smooth appearance.
5. High quality aluminum alloy housing.
6. With a universal bracket, conveniently to place it at anywhere.

Warning!

